



## INGLÉS PARA COMUNICACIÓN BÁSICA

[Este Documento representa una pequeña parte del Manual que recibe cada Participante](#)

[Vea el Temario del Curso - Solicite aquí su Cotización](#)

Los substantivos extranjeros o de lenguas como el latín (o el griego) respetan en general la formación de sus formas plurales.

Examples:	SINGULAR FORM	PLURAL FORM
	stadium	stadia
	museum	_____
	auditorium	_____
	medium	_____
	antenna	antennae
	genius	genii
	magus	magi
	phenomenon	phenomena
	exit	exeunt
	café	cafés

### ACTIVITIES

#### I. Write the plural form as in the example

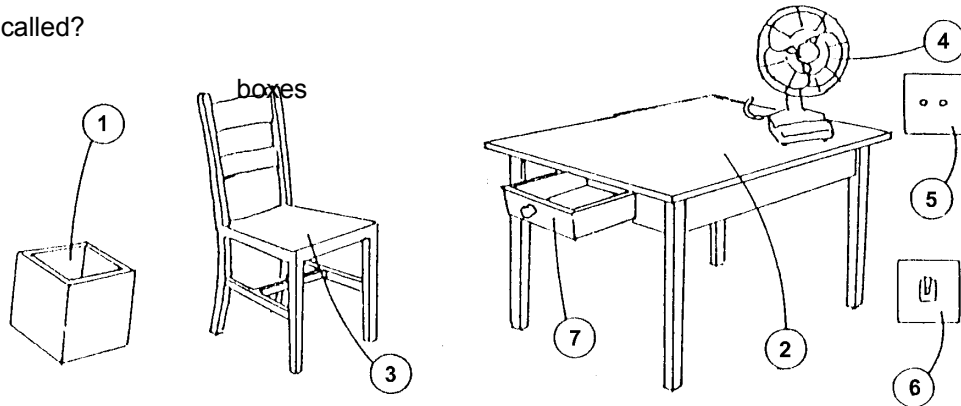
1. The motor is running.                      The motors are running
2. The switch is on the wall.                      \_\_\_\_\_
3. The screen is clear.                              \_\_\_\_\_
4. The factory is big.                                \_\_\_\_\_
5. The knife is long.                                 \_\_\_\_\_
6. The calculator is useful.                        \_\_\_\_\_
7. The screw is short.                              \_\_\_\_\_
8. The hammer is heavy.                         \_\_\_\_\_



**II. Match the words (nouns) and the pictures, and then write the plural form of them.**

What are these called?

1. box



switch / socket / chair / table / drawer / box / fan

SINGULAR FORM

PLURAL FORM

2. _____	_____
3. _____	_____
4. _____	_____
5. _____	_____
6. _____	_____
7. _____	_____

**PERSONAL PRONOUS**

- a) Subject Pronouns
- b) Object Pronouns

Usamos los pronombres personales para reemplazar los substativos.



## Subject Pronouns

Person	Number		Gender
	Singular	Plural	
1 <sup>st</sup>	I	We	
2 <sup>nd</sup>	You		
3 <sup>rd</sup>	He She It	They	Masc. Fem. Neuter

### I. Read these sentences

- Mr. Pérez** is at the factory.  
**HE** is at he factory.
- Peter and John** can operate the computer.  
**THEY** can operate the computer.
- Miss Smith** is at the office.  
**SHE** is at the office.
- Electric Energy** is used in many different ways.  
**IT** is used in many different ways.
- Mary and I** translated the instructions.  
**WE** translated the instructions.
- Electric Motors** change electricity into motion.  
**THEY** change electricity into motion.



### ACTIVITIES

#### II. Rewrite these sentences using subjects pronouns

- AN ELECTRIC WIRE is usually made of cooper.

---

- MR. BLACK is an engineer.

---

- LAMPS change electricity into light.....

---